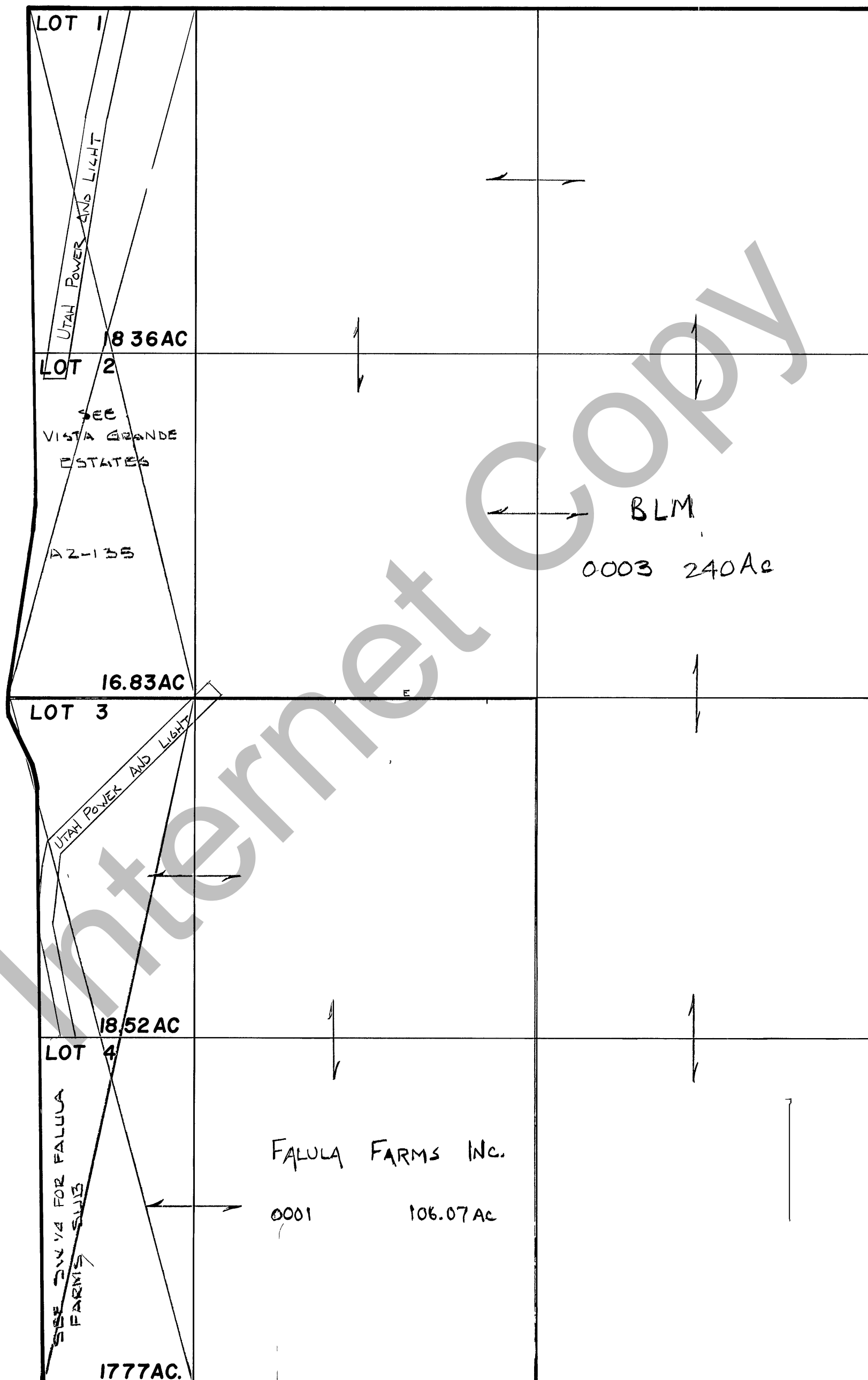


RICH COUNTY
SECTION 17 , T. 13 N.R. 6 E., S.L.B.&M.

SERIAL NO = 37-17-000-PARCEL



REVISIONS	

THIS PLAT IS MADE SOLELY FOR THE PURPOSE OF ASTRIC IN LOCATING THE LAND, AND THE SURVEYOR ASSUMES NO LIABILITY FOR VARIATIONS IN ANY WITH AN ACTUAL SURVEY

Section 17 T 13 N. R 6E book page
 drawn by DW date 1-80 scale 1" = 400'