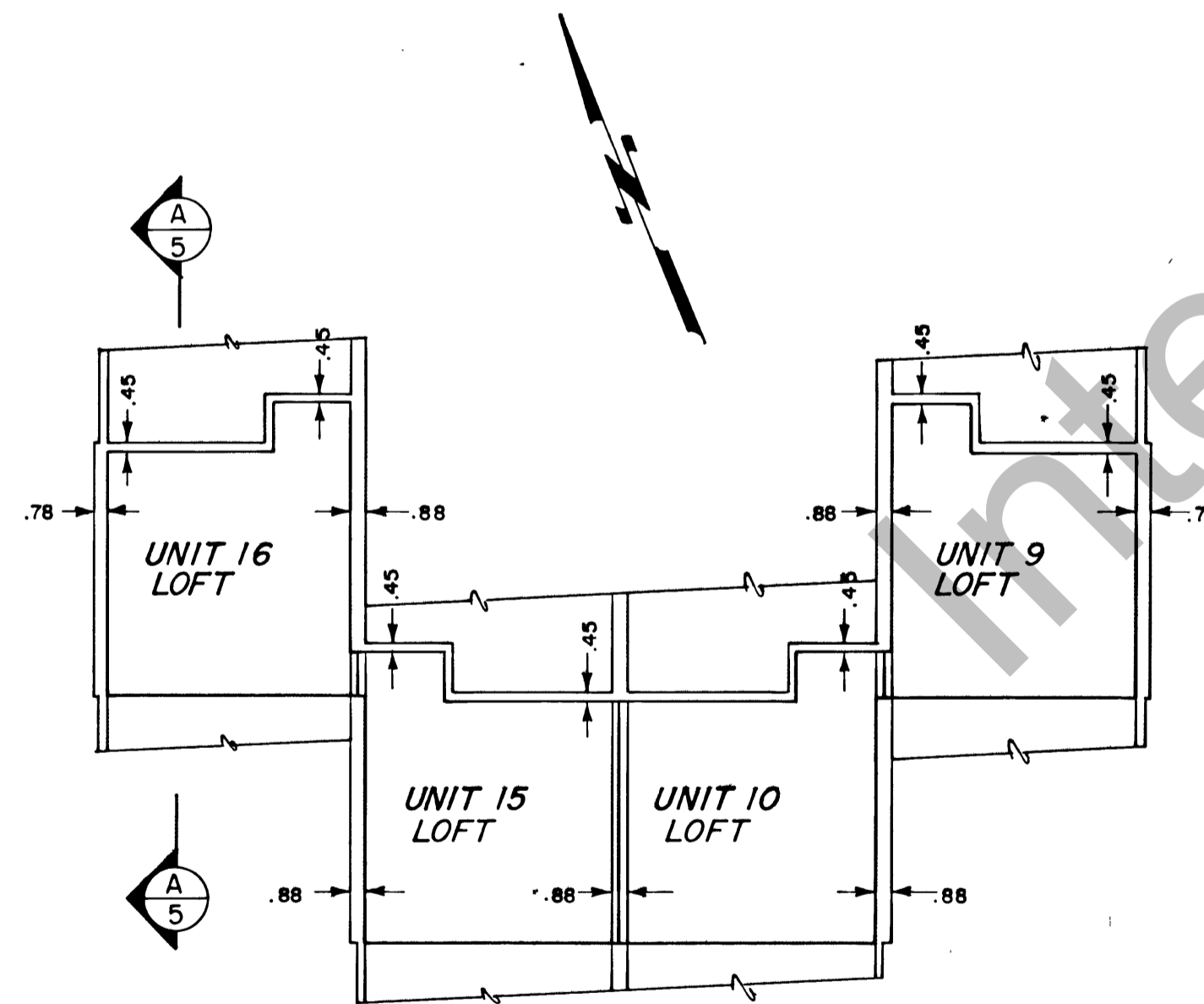


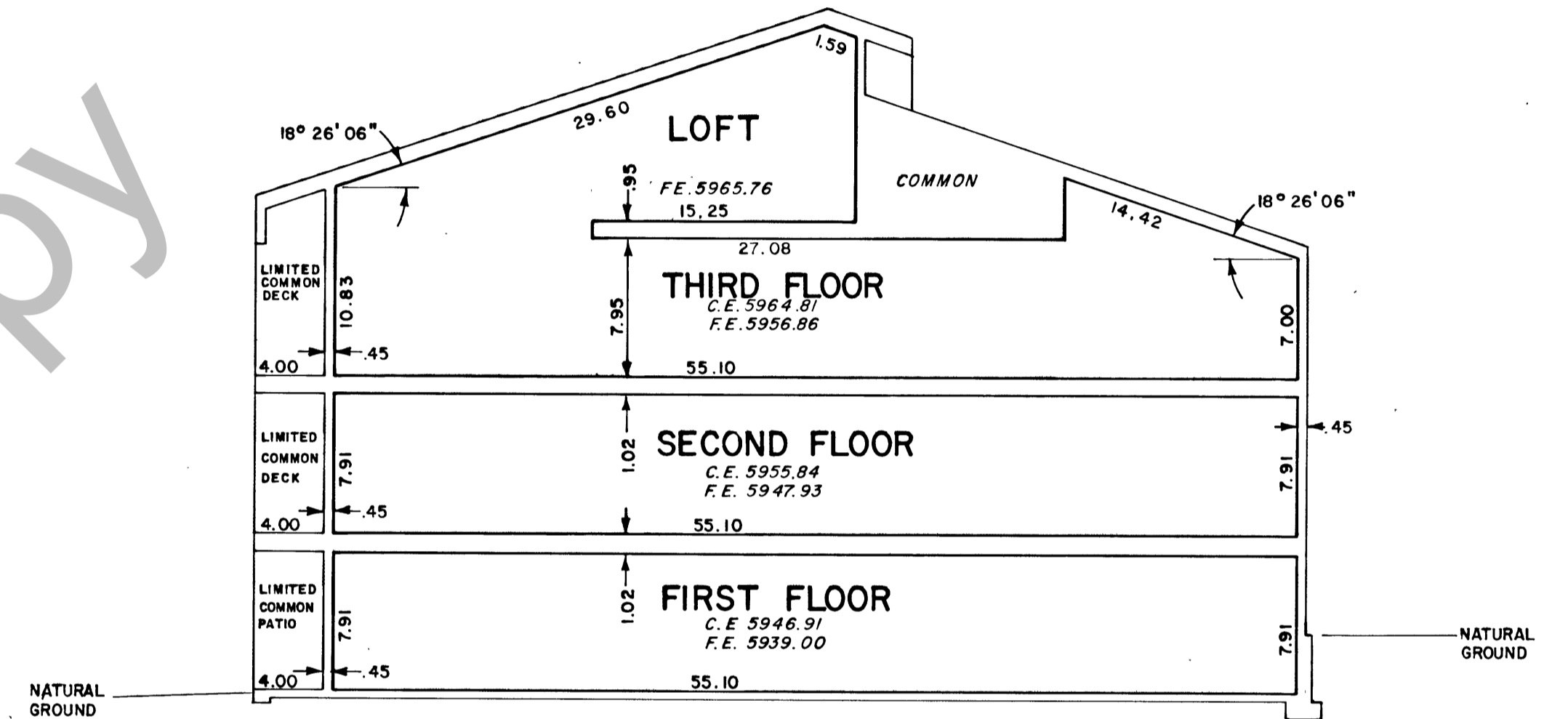
BUILDING "A" LOFT FLOOR PLAN

SCALE 1" = 10'



BUILDING B LOFT FLOOR PLAN

SCALE 1" = 10'



SECTION A-5
SCALE 1" = 8'

- NOTE:
1. DIMENSIONS SHOWN ARE TYPICAL FOR ALL RESPECTIVE UNITS.
 2. F.E. DENOTES FINISHED FLOOR ELEVATION.
 3. C.E. DENOTES FINISHED CEILING ELEVATION.

FIRST AMENDED RECORD OF SURVEY MAP OF
SWEETWATER BEAR LAKE CONDOSHARE PROJECT III
 RICH COUNTY, UTAH
 AAA ENGINEERING & DRAFTING, INC.
 SALT LAKE CITY, UTAH

RECORDED NO. _____
 STATE OF UTAH, COUNTY OF RICH, RECORDED AT
 THE REQUEST OF _____
 DATE _____ TIME _____ BOOK _____ PAGE _____
 REC'D _____ COUNTY RECORDER _____