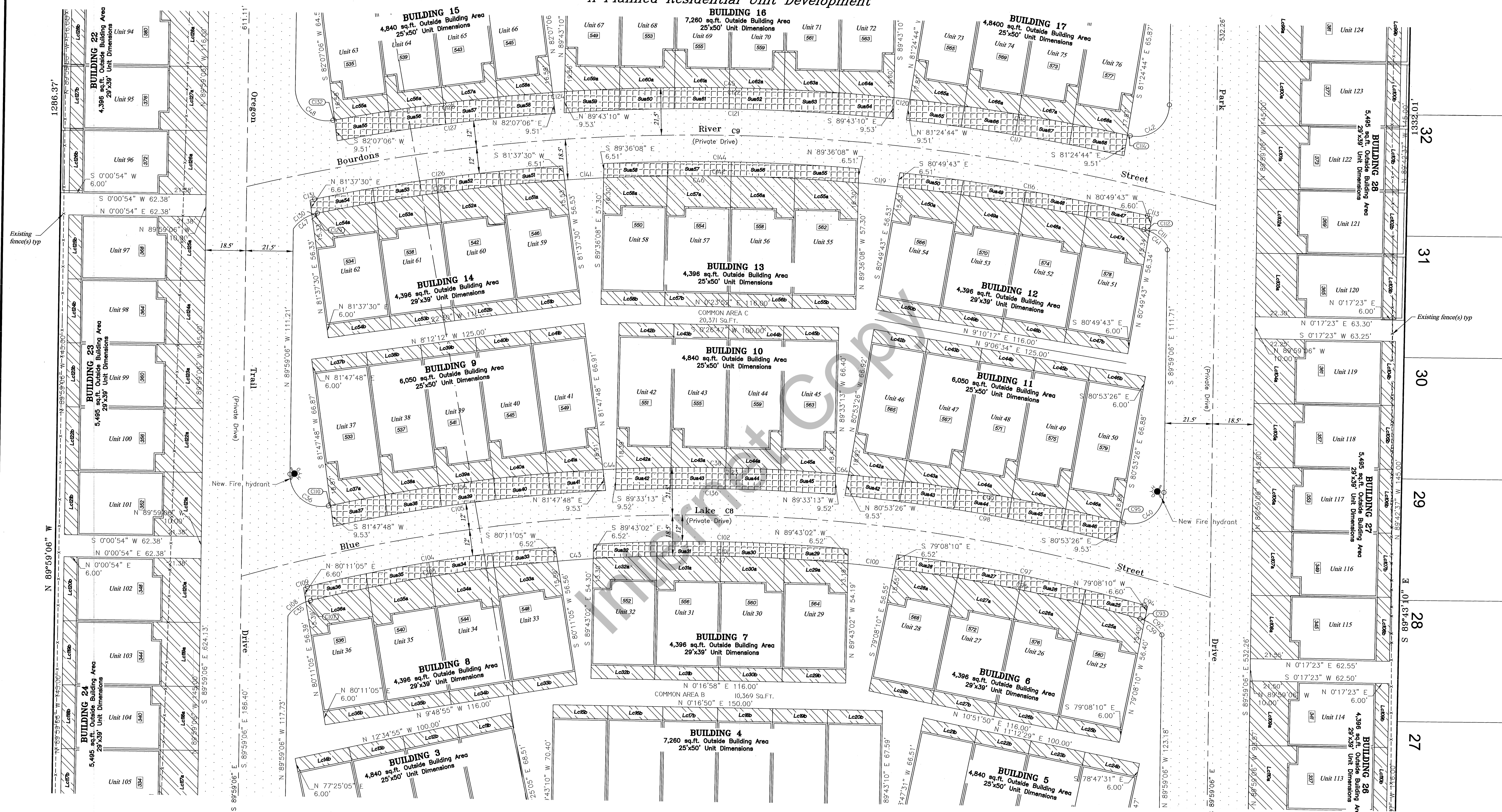
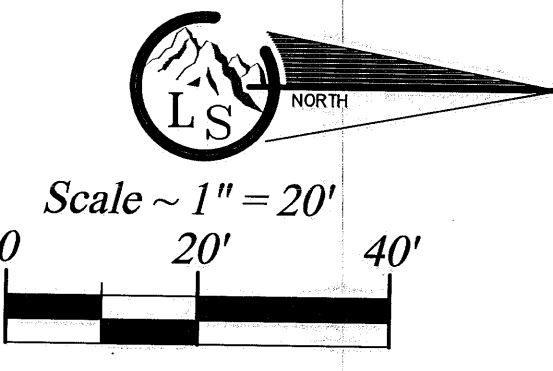


PARADISE PARK TOWNHOMES

A Planned Residential Unit Development



Project Name: 4084 Pktn-Paradise; Pktn-ASD storm water; MTLAR.dwg; Save Date: September 17, 2021, 1:50 PM; Sheet: ###



Landmark Surveying, Inc. A Complete Land Surveying Service www.LandmarkSurveyUtah.com		4646 South 3500 West - #A-3 West Haven, UT 84001 801-731-4075		Rich County Recorder Entry no. <u>100982</u>	
PARADISE PARK TOWNHOMES DEVELOPER: PSON HOMES Address: P.O. Box 160155, Clearfield, Utah 84016			4 of 6 Filed for record and recorded 12 day of <u>Aug</u> 20 <u>21</u> in book <u>Q12</u> of official records, on page <u>356</u>		
SE 1/4 of Section 17, Township 14 North, Range 5 East, Salt Lake Base and Meridian.			P.R.U.D. PLAT		
Revisions		DRAWN BY: <u>EDR</u> SCALE: <u>1"=20'</u> DATE: <u>March 3, 2021</u> PROJ: <u>4084</u>		County Recorder: <u>Krystal Butterfield</u> By Deputy: <u>K Butterfield</u> Fee paid	